

# CABINET FOR FIRE HOSE REEL, FIRE EQUIPMENT AND BREECHING INLET

## CABINETS

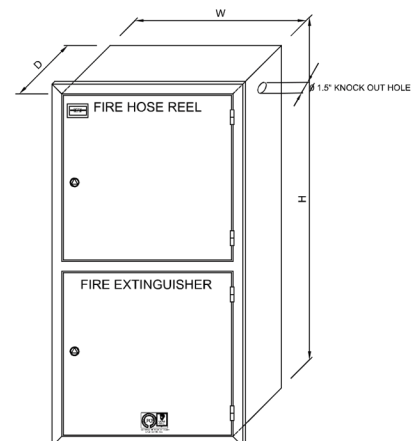
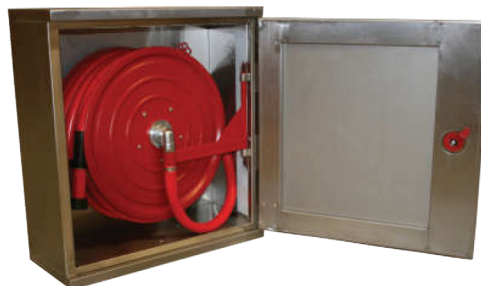
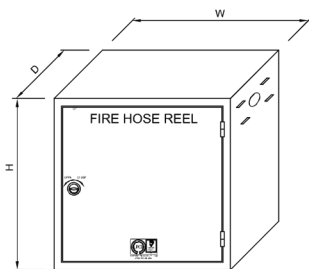
### PRODUCT DESCRIPTION

NOVEC cabinets are designed to accommodate fire hose reel, fire fighting equipment and breaching inlet. Fire hose reel cabinets are manufactured to comply with BSEN 671-1

standard and breaching inlet cabinets are manufactured to comply to BS 5041 -5 standard.

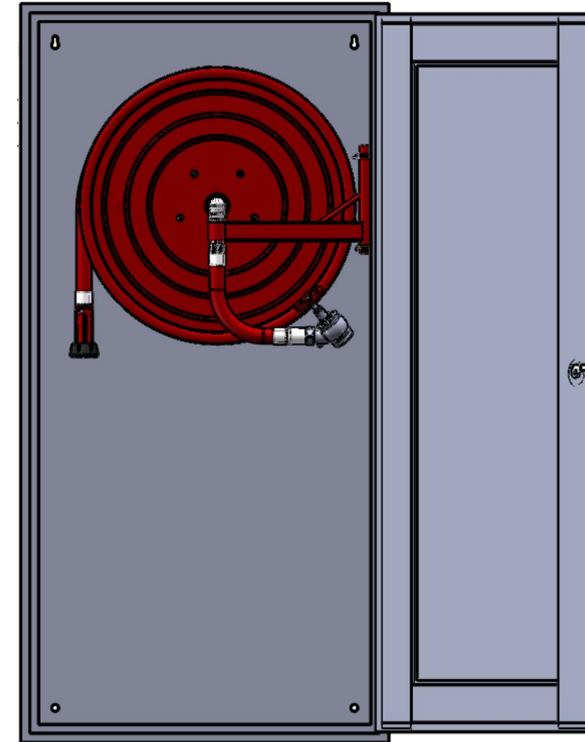
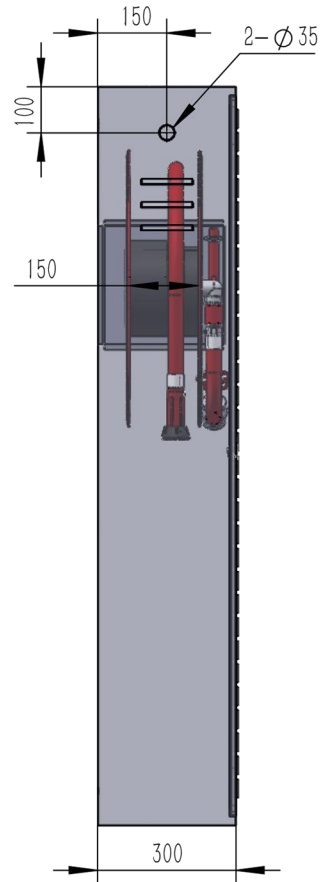
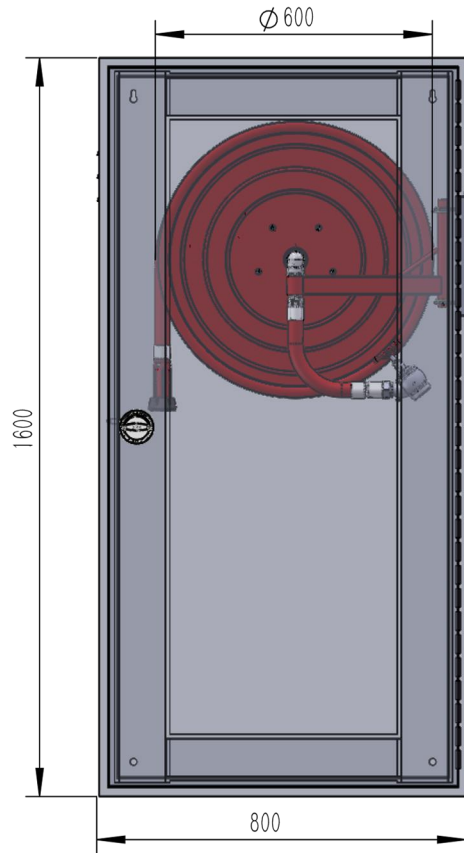
### FEATURES


- LPCB Certified.
- Cabinet material made of Electro Galvanized sheet or Stainless Steel Sheet (Full stainless steel brush or mirror finish).
- Locking of cabinet is either key operated or round handle cam latch.
- Cabinets are available either in surface mounted or recessed mounted type.
- Cabinet door shall be solid door.
- Breaching inlet cabinets are available in horizontal or vertical version.

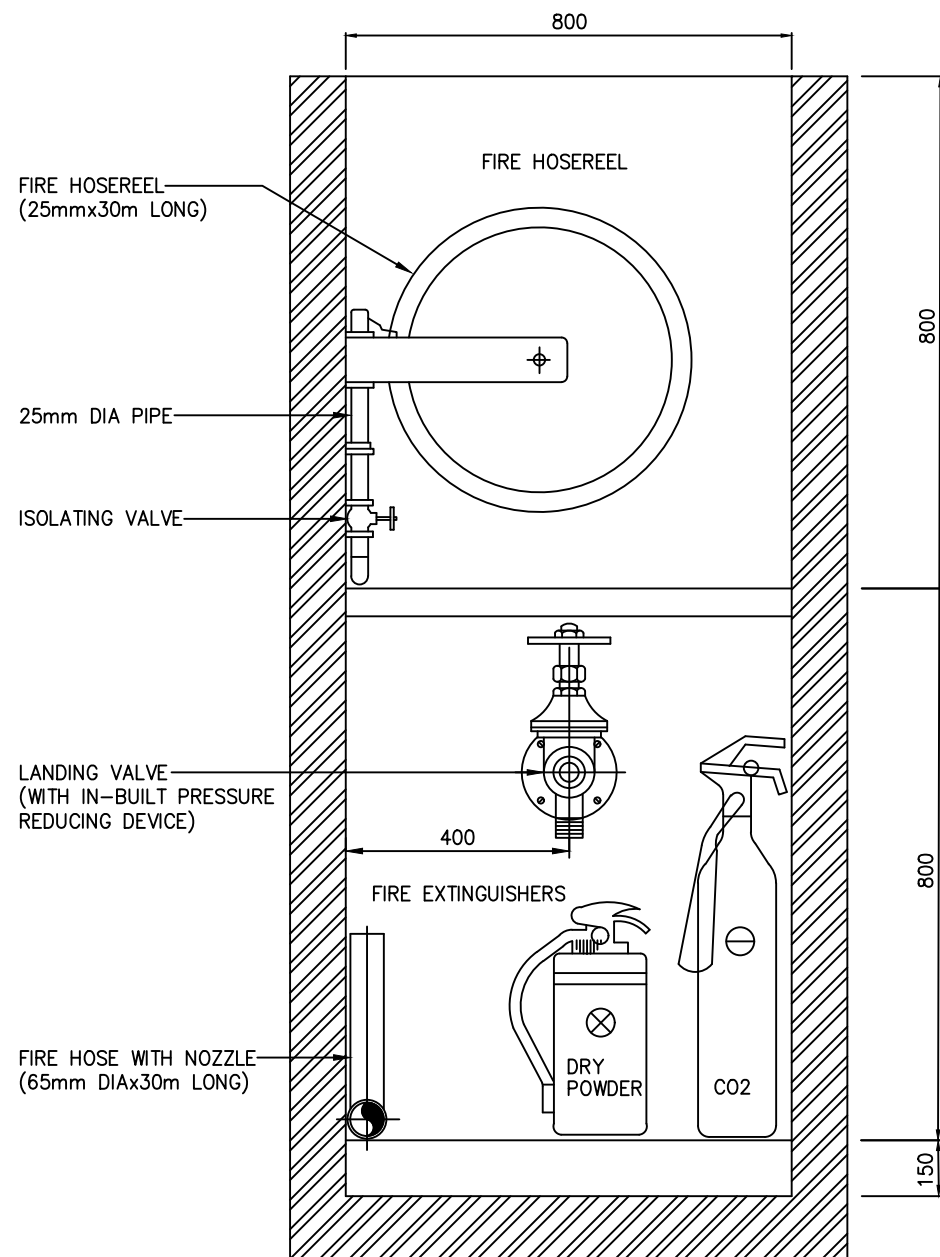


General Tolerance for Cutting Size(mm)					General Tolerance for Casting Size(mm)					
Size Range	0-6	>6-30	>30-100	>100-300	>300-1000	Size Range	0-30	>30-100	>100-300	>300
Tolerance	±0.05	±0.1	±0.2	±0.3	±0.5	Tolerance	±0.5	±1.0	±2.0	±3.0

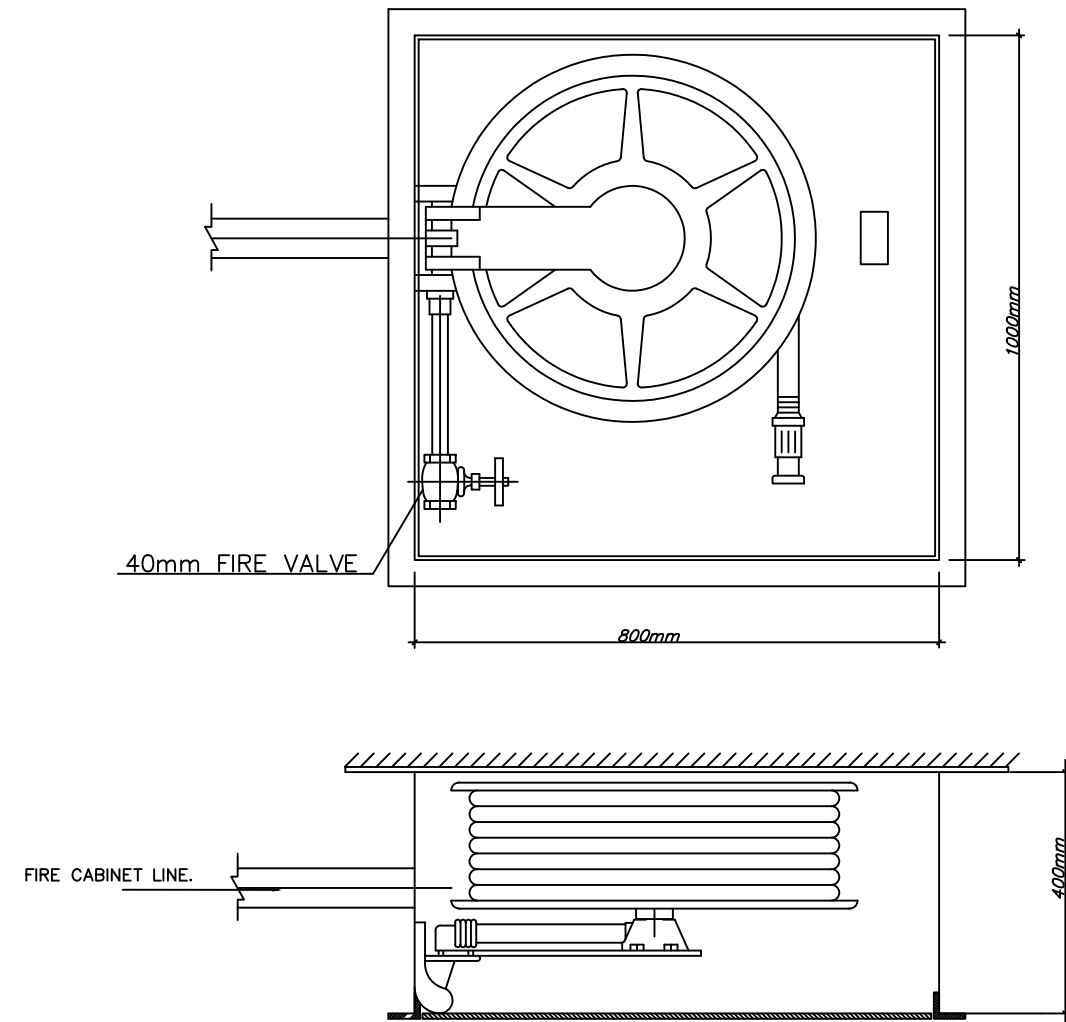
Note, All critical dimensions are marked with "\*"



△						Name	Surface mounted fire cabinet, 800x1600x300		Approve		
△						Material	SUS304 1.2mm	Surface Treatment	brush finish	Design	Samy Sorour
△						Drawing No.		Unit	mm		2019.08.23
△								Proportion	1:15	Draw	
△										Revision	A
NO.	Original Size	Modified	Revisor	Auditor	Date						



**FIRE HOSE CABINET**



**FIRE HOSE REEL.**



MAIN CONSULTANT:

Owner Name :

Drawing Title:

Scale: N.T.S

Project Name :

**FIRE HOSE CABINET**

Drawn By	Engineering By	Checked By	Approved By
M.IBRAHIM	M. Afifi	M. Afifi	ESAM MONIR

Construction Manager :

0	03/10/2021	M.IBRAHIM
Rev.	Date	Name.