

U30 ANGLE VALVES

Overview

The Elkhart Brass U30 angle valves are used in firefighting piping systems as fire department outlet connection or hose rack assembly connection. Available with an 1.5" or 2.5" inlet/outlet and offered in angle style with NPT and NHT threading options.

The U30 valves are UL listed, FM approved, and comply with NFPA 13, NFPA 14, NFPA 25 and NFPA 170.

Features

- Compact size enables ease of installation
- Support up to 300 psi (20.70 bar) operating pressure
- Supports up to 500 GPM (1893 LPM) flow rate
- Easy to open and close
- Forged brass construction enable use in corrosive and non-corrosive environment.

Specifications

	U30 1.5"	U30 2.5"
Rated inlet pressure	300 psi (20.70 bar)	300 psi (20.70 bar)
Rated outlet pressure	175 psi (12.15 bar)	175 psi (12.15 bar)
Inlet Size	1.5" FNPT	2.5" FNPT
Outlet size	1.5" FNPT and MNH	2.5" FNPT and MNH
Material	Forged Brass	Forged Brass
Weight	4.1 lbs for FNPT outlet	8.5 lbs for FNPT outlet
	4.0 lbs for MNH outlet	8.3 lbs for MNH outlet
Certification	UL listed, FM approved	UL listed, FM approved

Warranty

5-year limited warranty

Certification & Compliances

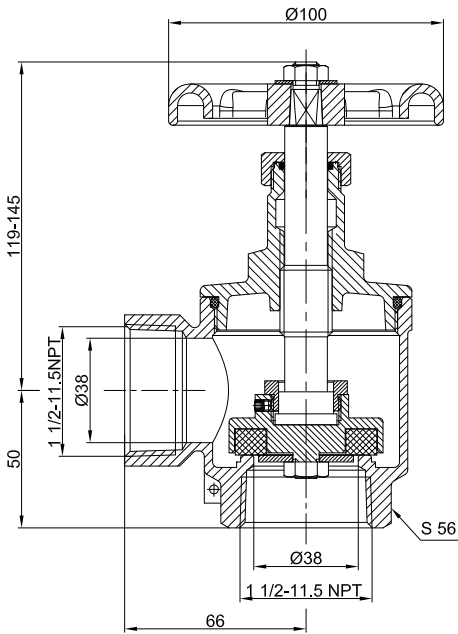
UL Listed, FM approved, complies with NFPA NFPA 13, NFPA 14, NFPA 25 and NFPA 170



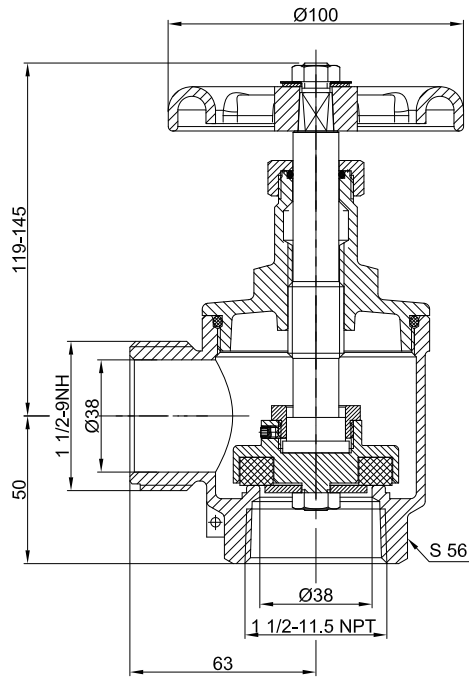
U30 ANGLE VALVES

U30 1.5" VALVE

1.84kg 1.5" FNPT X FNPT

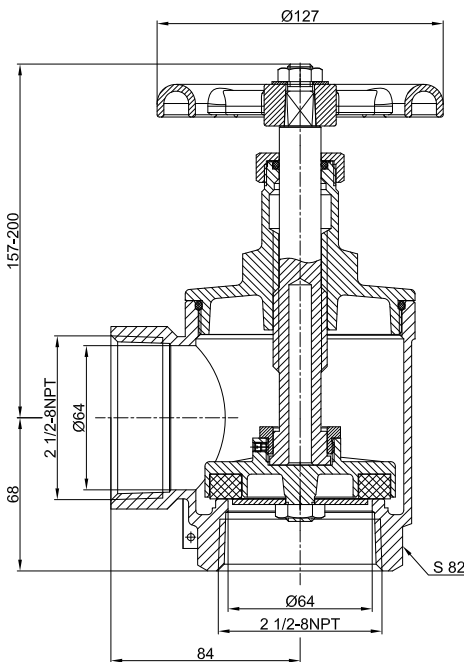


1.82kg 1.5" FNPT X MNH

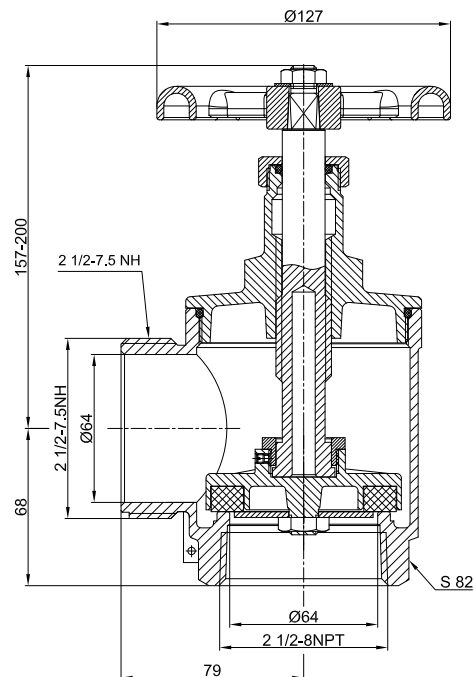


U30 2.5" VALVE

3.84kg 2.5" FNPT X FNPT



3.76kg 2.5" FNPT X MNH



UP30 AND UP35 PRESSURE RESTRICTING VALVES

Overview

The Elkhart Brass UP30 and UP35 series of pressure restricting valves are designed to allow for the outlet pressure to adjust while flowing. The UP30 and UP35 valves can be both factory and field-settable. Available in 1.5" and 2.5" inlet/outlet sizes with NPT and NHT threading options.

The UP30 and UP35 pressure restricting valves are UL listed, FM approved, and comply with NFPA 13, NFPA 14, NFPA 25 and NFPA 170.

Features

- Compact size enables ease of installation
- Support up to 175 psi (12.06 bar) inlet
- Cast brass construction enables use in corrosive environment
- Easy to open and close

Specifications

	UP30 1.5"	UP35 2.5"
Rated inlet pressure	175psi (12.06 bar)	175 psi (12.06 bar)
Rated outlet pressure	65 psi (4.48 bar)	100 psi (6.89 bar)
Inlet Size	1.5" FNPT	2.5" FNPT
Outlet size	1.5" FNPT and MNH	2.5" FNPT and MNH
Rated Flow Rate	100 GPM (379 LPM) for 1.5" outlet	250 GPM (947 LPM) for 2.5" outlet
Material	Forged Brass	Forged Brass
Weight	4.1 lbs for FNPT outlet	9.3 lbs for FNPT outlet
	4.0lbs for MNH outlet	9.0 lbs for MNH outlet
Certification	UL listed, FM approved	UL listed, FM approved

Warranty

5-year limited warranty

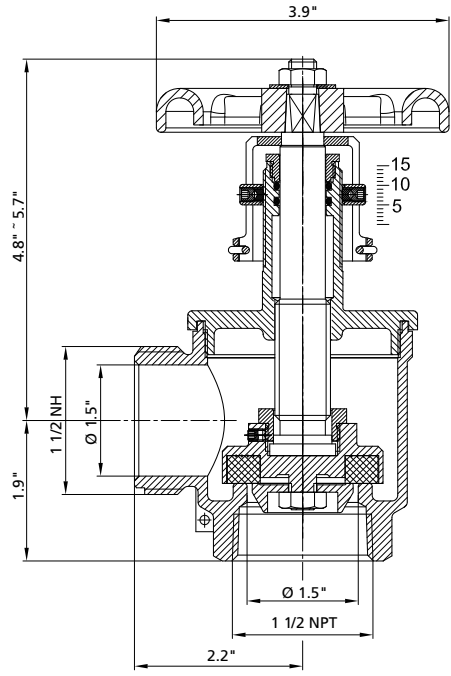
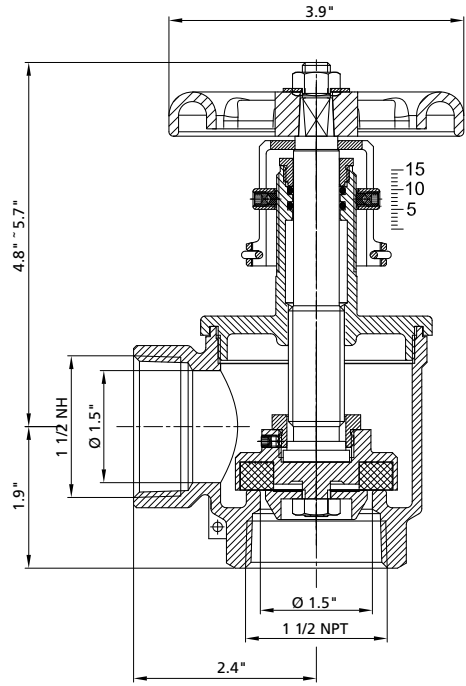
Certification & Compliances

UL Listed, FM approved, complies with NFPA NFPA 13, NFPA 14, NFPA 25 and NFPA 170



UP30 & UP35 ANGLE VALVES

UP30 VALVES



UP35 VALVE

